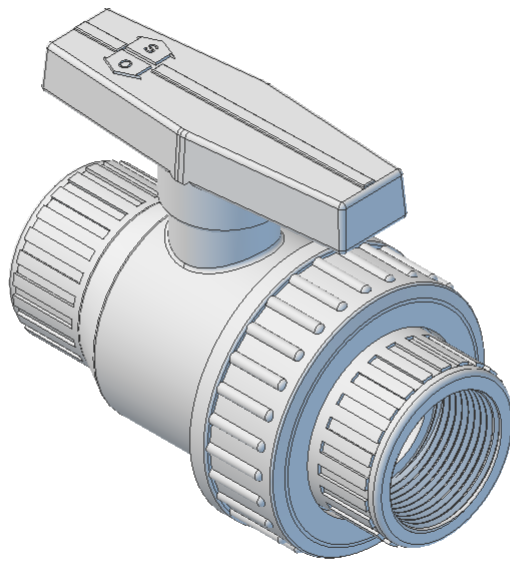


SU125-FP SINGLE UNION POLY-BALL VALVE



MATERIAL - POLYPROPYLENE WITH TEFLON SEATS  
EPDM O-RINGS